

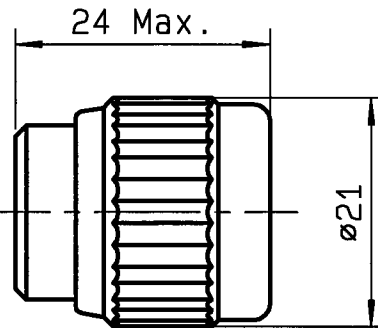


1 W DC- 4 GHz N/male COAXIAL TERMINATION

Issue
09. ju1.03

Page
1 / 1

DRAWING



PACKAGING

Standard	Unit	Other
50	'W' option	Contact us

R F CHARACTERISTICS

FREQUENCY RANGE	: DC - 4GHz
IMPEDANCE	: 50 Ohms
DC RESISTANCE	: 50 Ohms ± 2 %
AVERAGE POWER HANDLING	: 1 W at 25°C
PEAK POWER HANDLING	: 500 W (1 µs, 1%.) at 25°C
V.S.W.R : DC - 1 GHz	: ≤ 1.08
1 - 4 GHz	: ≤ 1.20

General tolerances: +/- 0.5 mm

MECHANICAL CHARACTERISTICS

CONNECTOR	: N male per MIL C 39012
MAXIMUM WEIGHT	: 40 grams

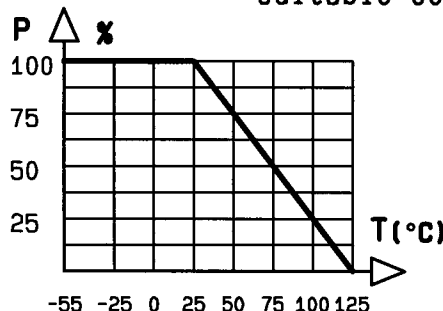
MATERIALS AND FINISHES

BODY and N NUT	: BRASS Ni 2 µm
CENTER CONTACT	: BRASS Ni 2 µm Au 1 µm
INSULATOR	: PTFE
GASKET	: SILICONE

ENVIRONMENTAL CHARACTERISTICS

OPERATING TEMPERATURE RANGE (°C)	: -55 , +125
STORAGE TEMPERATURE RANGE (°C)	: -55 , +125
WATERTIGHTNESS NF EN60529	: IP 68 When mated with suitable connector

Power derating
Versus temperature



This information is given as an indication. In the continual goal to improve our products, we reserve the right to make any modifications judged necessary

CREATION	09/07/03	Frequency range 2.5 GHz --> 4 GHz	AF	FG
N° :	25-06-02	Add packaging DM02-06-006	jarrand	vignard
PEN/EP:92502	10.apr.00	Add watertightness	MG	AF
Name:PG	16.mar.00	Add materials and finishes	JL	AF
Date:13.oct.92	28.jul.98	V.S.W.R 1.10 --> 1.08	MG	AF
APP.:	ISSUE	REVISIONS	NAME	APPR.

RADIAL[®]

101. rue P. Hoffmann -Z.I Ouest-
93116 ROSNY/BOIS Cedex-FRANCE
Phone:33(1)49353535
Fax :33(1)48546363
Tlx RADIA 235220F